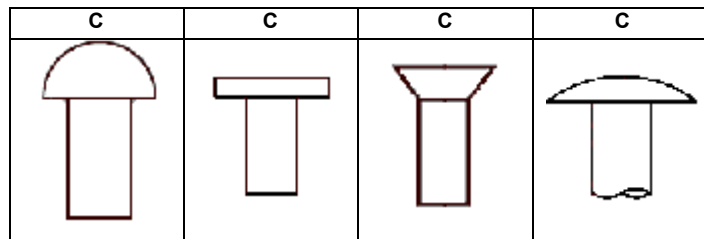
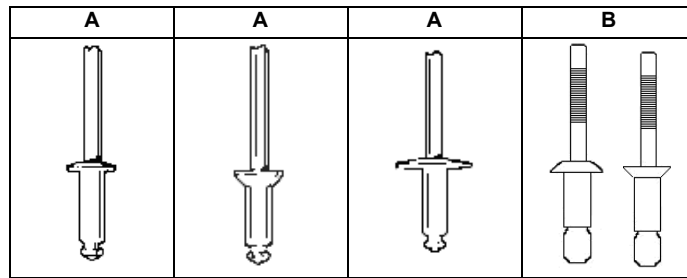
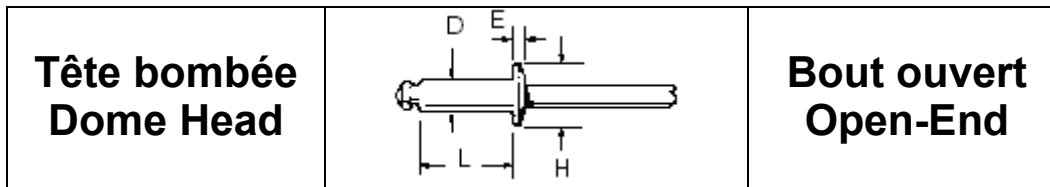


# RIVET



	Description		Page
<b>A</b>	Rivet aveugle (POP)	Blind Rivet (POP)	586-589
<b>B</b>	Rivet aveugle SUPRA	Blind Rivet SUPRA	590
<b>C</b>	Rivet plein	Solid Rivet	592-598
	Rondelle d'appui pour rivet aveugle	Backup Washer for Blind Rivet	591

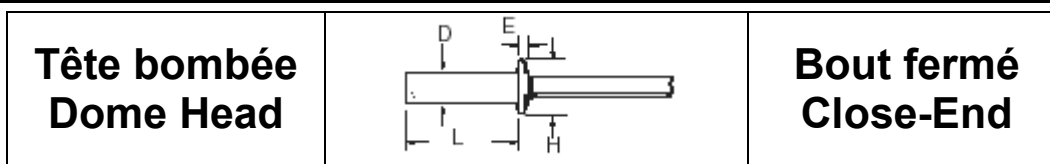
# Rivet aveugle Blind Rivet



D	L	Rivetage (min/max) Grip Range	Rivet ACIER/STEEL	Rivet ALUM.	Rivet ALUM.	Rivet ACIER INOXYDABLE/ STAINLESS STEEL	Rivet ACIER INOXYDABLE/ STAINLESS STEEL
			Tige ACIER Mandrel STEEL	Tige ACIER Mandrel STEEL	Tige ALUM. Mandrel ALUM.	Tige ACIER Mandrel STEEL	Tige ACIER INOXYDABLE Mandrel STAINLESS STEEL
3/32	.240	.031/.125	0356 S32	0353 A32	0350 A32A		
	.365	.126/.250	0356 S34	0353 A34	0350 A34A		0360 SS34SS
1/8	.203	.031/.062	0356 S41	0353 A41	0350 A41A	0359 SS41	
	.265	.063/.125	0356 S42	0353 A42	0350 A42A	0359 SS42	0360 SS42SS
	.328	.126/.187	0356 S43	0353 A43	0350 A43A	0359 SS43	0360 SS43SS
	.390	.188/.250	0356 S44	0353 A44	0350 A44A	0359 SS44	0360 SS44SS
	.453	.251/.312	0356 S45	0353 A45	0350 A45A		0360 SS45SS
	.515	.313/.375	0356 S46	0353 A46	0350 A46A	0359 SS46	0360 SS46SS
	.640	.376/.500	0356 S48	0353 A48	0350 A48A	0359 SS48	0360 SS48SS
	.765	.501/.625	0356 S410	0353 A410	0350 A410A		
5/32	.290	.063/.125	0356 S52	0353 A52	0350 A52A	0359 SS52	0360 SS52SS
	.353	.126/.187	0356 S53	0353 A53	0350 A53A		
	.415	.188/.250	0356 S54	0353 A54		0359 SS54	0360 SS54SS
	.540	.251/.375	0356 S56	0353 A56	0350 A56A	0359 SS56	0360 SS56SS
	.665	.376/.500	0356 S58	0353 A58	0350 A58A	0359 SS58	0360 SS58SS
		.501/.625		0353 A510		0359 SS510	0360 SS510SS
3/16	.315	.063/.125	0356 S62	0353 A62	0350 A62A	0359 SS62	0360 SS62SS
		.125/.188	0356 S63				
	.440	.126/.250	0356 S64	0353 A64	0350 A64A	0359 SS64	0360 SS64SS
	.565	.251/.375	0356 S66	0353 A66	0350 A66A	0359 SS66	0360 SS66SS
	.690	.376/.500	0356 S68	0353 A68	0350 A68A	0359 SS68	0360 SS68SS
	.815	.501/.625	0356 S610	0353 A610	0350 A610A		0360 SS610SS
	.940	.626/.750	0356 S612	0353 A612	0350 A612A		0360 SS612SS
	1.065	.750/.875	0356 S614	0353 A614	0350 A614A		
	1.190	.751/1.000	0356 S616	0353 A616	0350 A616A		
	1.000/1.312		0353 A621				
1/4		.063/.125	0356 S82				
	.490	.063/.250	0356 S84	0353 A84	0350 A84A		0360 SS84SS
	.615	.251/.375	0356 S86	0353 A86	0350 A86A		0360 SS86SS
	.740	.376/.500	0356 S88	0353 A88	0350 A88A		0360 SS88SS
	.865	.501/.625	0356 S810	0353 A810	0350 A810A		
	.990	.626/.750	0356 S812	0353 A812	0350 A812A		
		.751/.875		0353 A814	0350 A814A		
1.240	.751/1.000	0356 S816	0353 A816	0350 A816A			

D	3/32	1/8	5/32	3/16	1/4
H	.188	.250	.312	.375	.500
E	.032	.040	.047	.055	.073
Trou/Hole	.097/.100	.129/.133	.160/.164	.192/.196	.257/.261
Mèche/Drill	#41	#30	#20	#11	F

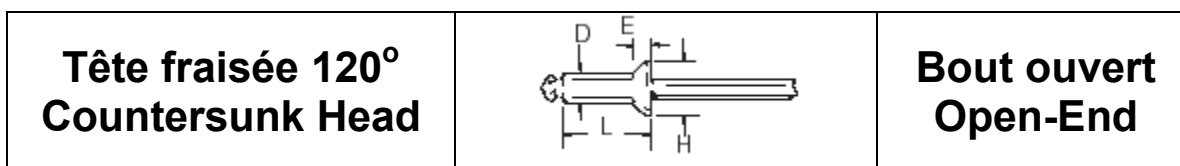
# Rivet aveugle Blind Rivet



D	L	Rivetage (min/max) Grip Range	Rivet ACIER/STEEL	Rivet ALUM.	Rivet ALUM.	Rivet ACIER INOXYDABLE/ STAINLESS STEEL	Rivet ACIER INOXYDABLE/ STAINLESS STEEL
			Tige ACIER Mandrel STEEL	Tige ACIER Mandrel STEEL	Tige ALUM. Mandrel ALUM.	Tige ACIER Mandrel STEEL	Tige ACIER INOXYDABLE Mandrel STAINLESS STEEL
3/32							
1/8	.255	.031/.062		0347 A41SEL			
	.316	.063/.125		0347 A42SEL	0348 A42ASEL		
	.377	.126/.187		0347 A43SEL			0349 SS43SSSEL
	.440	.188/.250		0347 A44SEL	0348 A44ASEL		0349 SS44SSSEL
	.502	.251/.312		0347 A45SEL			
	.565	.313/.375		0347 A46SEL			
	.690	.376/.500		0347 A48SEL			
5/32		.501/.625					
	.330	.063/.125		0347 A52SEL			
	.392	.126/.187		0347 A53SEL			
	.435	.188/.250		0347 A54SEL	0348 A54ASEL		
3/16	.517	.251/.312		0347 A55SEL			
	.345	.063/.125		0347 A62SEL	0348 A62ASEL		0349 SS62SSSEL
	.407	.126/.187		0347 A63SEL			
	.470	.188/.250		0347 A64SEL	0348 A64ASEL		0349 SS64SSSEL
	.595	.251/.375		0347 A66SEL	0348 A66ASEL		0349 SS66SSSEL
	.720	.376/.500		0347 A68SEL	0348 A68ASEL		
1/4	.845	.501/.625		0347 A610SEL	0348 A610ASEL		
	.505	.126/.250		0347 A84SEL			
	.630	.251/.375		0347 A86SEL			

D	3/32	1/8	5/32	3/16	1/4
H		.236	.312	.375	.500
E		.051	.066	.081	.099
Trou/Hole		.129/.133	.160/.164	.192/.196	.257/.261
Mèche/Drill		#30	#20	#11	F

# Rivet aveugle Blind Rivet

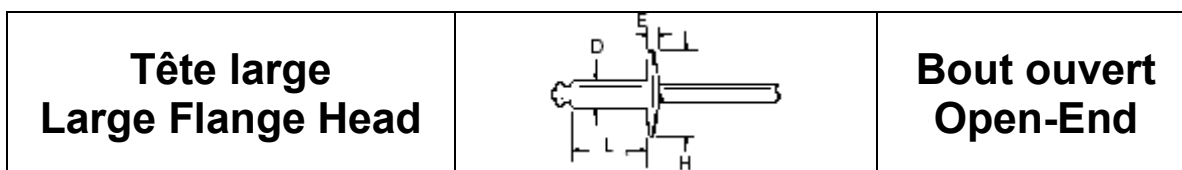


D	L	Rivetage (min/max) Grip Range	Rivet ACIER/STEEL	Rivet ALUM.	Rivet ALUM.	Rivet ACIER INOXYDABLE/ STAINLESS STEEL	Rivet ACIER INOXYDABLE/ STAINLESS STEEL
			Tige ACIER Mandrel STEEL	Tige ACIER Mandrel STEEL	Tige ALUM. Mandrel ALUM.	Tige ACIER Mandrel STEEL	Tige ACIER INOXYDABLE Mandrel STAINLESS STEEL
3/32	.310	.188/.218		0354 AF33			
1/8	.265	.063/.125	0357 SF42	0354 AF42*	0351 AF42A		0361 SSF42SS
	.328	.126/.187	0357 SF43	0354 AF43	0351 AF43A		0361 SSF43SS
	.390	.188/.250	0357 SF44	0354 AF44	0351 AF44A		0361 SSF44SS
	.453	.251/.312		0354 AF45			0361 SSF45SS
	.453	.251/.312	0357 SF46				
5/32	.415	.188/.250	0357 SF54	0354 AF54			
		.251/.312	0357 SF55				
	.540	.313/.375		0354 AF56			
3/16	.440	.126/.250	0357 SF64	0354 AF64	0351 AF64A		0361 SSF64SS
	.828	.501/.625		0354 AF610			

0870 AF42SLE (Bout fermé / Close-End)

D	3/32	1/8	5/32	3/16	1/4
H	.185	.220	.281	.348	
E	.037	.030	.040	.050	
Trou/Hole	.097/.100	.129/.133	.160/.164	.192/.196	
Mèche/Drill	#41	#30	#20	#11	

# Rivet aveugle Blind Rivet

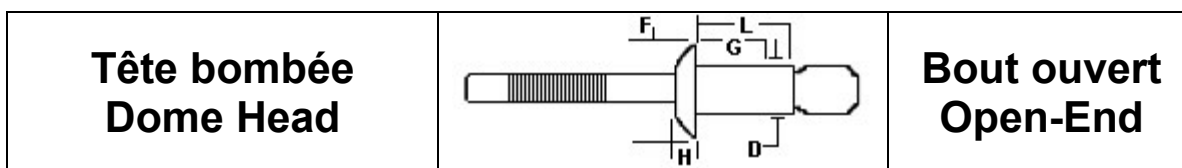


D	L	Rivetage (min/max) Grip Range	Rivet ACIER/STEEL	Rivet ALUM.	Rivet ALUM.	Rivet ACIER INOXYDABLE/ STAINLESS STEEL	Rivet ACIER INOXYDABLE/ STAINLESS STEEL
			Tige ACIER Mandrel STEEL	Tige ACIER Mandrel STEEL	Tige ALUM. Mandrel ALUM.	Tige ACIER Mandrel STEEL	Tige ACIER INOXYDABLE Mandrel STAINLESS STEEL
3/32							
1/8	.265	.031/.125	0358 SLF42	0355 ALF42	0352 ALF42A		0362 SSLF42SS
	.327	.126/.187	0358 SLF43				0362 SSLF43SS
	.390	.188/.250	0358 SLF44	0355 ALF44	0352 ALF44A		0362 SSLF44SS
	.515	.251/.375	0358 SLF46	0355 ALF46	0352 ALF46A		
	.640	.376/.500			0352 ALF48A		
5/32	.415	.126/.250	0358 SLF54	0355 ALF54	0352 ALF54A		
	.540	.251/.375	0358 SLF56				
3/16	.440	.063/.250	0358 SLF64	0355 ALF64	0352 ALF64A		0362 SSLF64SS
	.565	.251/.375	0358 SLF66	0355 ALF66	0352 ALF66A		0362 SSLF66SS
	.690	.376/.500	0358 SLF68	0355 ALF68	0352 ALF68A		0362 SSLF68SS
	.815	.501/.625	0358 SLF610	0355 ALF610	0352 ALF610A		0362 SSLF610SS
	.940	.626/.750	0358 SLF612	0355 ALF612	0352 ALF612A		0362 SSLF612SS
	1.065	.751/.875		0355 ALF614			
	1.190	.751/1.000	0358 SLF616	0355 ALF616	0352 ALF616A		
	1.315	1.001/1.125			0352 ALF618A		
1/4	1.388	1.188		0355 ALF619			
	.740	.251/.500	0358 SLF88				

D	3/32	1/8	5/32	3/16	1/4
H		.375	.468	.625	
E		.065	.075	.092	
Trou/Hole		.129/.133	.160/.164	.192/.196	
Mèche/Drill		#30	#20	#11	

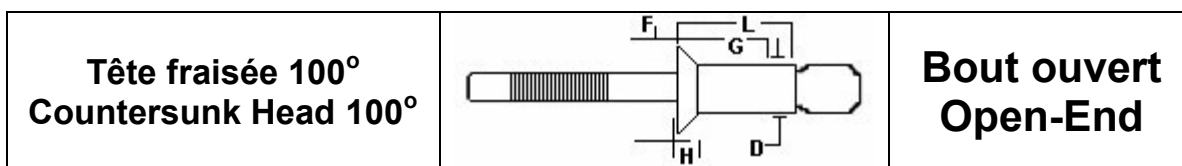
# Rivet aveugle SUPRA

## SUPRA Blind Rivet



D	L	Rivetage (min/max) Grip Range G	Rivet ACIER/STEEL	Rivet ALUM.	Rivet ACIER INOXYDABLE/ STAINLESS STEEL
			Tige ACIER Mandrel STEEL	Tige ALUM. Mandrel ALUM.	Tige ACIER INOXYDABLE Mandrel STAINLESS STEEL
3/16	.415	.062/.270	0889 S6270ST	0879 A6270ST	4999 SS6270ST
	.572	.214/.437	0889 S6437STU	0879 A6437STU	4999 SS6437ST
1/4	.560	.080/.375	0889 S8375ST	0879 A8375ST	4999 SS8375ST
	.810	.350/.625	0889 S8625STU	0879 A8625STU	4999 SS8625ST
3/8	.840	.120/.560	0889 MGLP-R12-12		

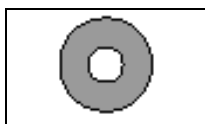
D	3/16	1/4	3/8
F	.363	.515	.787
H	.085	.117	.175
Trou/Hole	.191/.201	.261/.272	.392/.408
Mèche/Drill	#8	17/64	13/32



D	L	Rivetage (min/max) Grip Range G	Rivet ACIER/STEEL	Rivet ALUM.	Rivet ACIER INOXYDABLE/ STAINLESS STEEL
			Tige ACIER Mandrel STEEL	Tige ALUM. Mandrel ALUM.	Tige ACIER INOXYDABLE Mandrel STAINLESS STEEL
3/16	.450	.062/.331	4998 SF6331ST	4997 AF6331ST	
	.643	.331/.500	4998 SF6500ST	4997 AF6500ST	
1/4	.622	.062/.475	4998 SF8475ST	4997 AF8475ST	

D	3/16	1/4
F	.327	.430
H	.070	.089
Trou/Hole	.199	.266
Mèche/Drill	#8	17/64

# Rondelle d'appui pour rivet aveugle Backup Washer for Blind Rivet

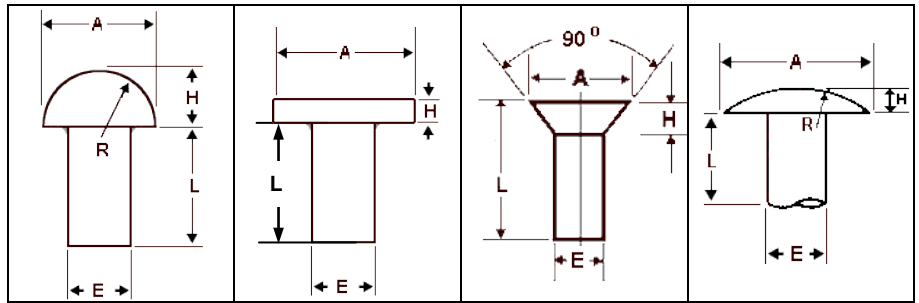


Pour/For DIA Rivet	Acier zingué Zinc Plated	OD	Épaisseur Thickness
3/32			
1/8	0363 SBUP4	3/8	.043
5/32	0363 SBUP5	1/2	.045
3/16	0363 SBUP6	1/2	.060
1/4			

Pour/For DIA Rivet	Aluminium Aluminum	OD	Épaisseur Thickness
3/32			
1/8	0364 ABUP4	3/8	.050
5/32	0364 ABUP5	1/2	.060
3/16	0364 ABUP6	1/2	.060
1/4	0364 ABUP8	11/16	.049

Pour/For DIA Rivet	Acier inoxydable Stainless Steel	OD	Épaisseur Thickness
3/32			
1/8			
5/32			
3/16	0365 SSBUP6	1/2	.060
1/4			

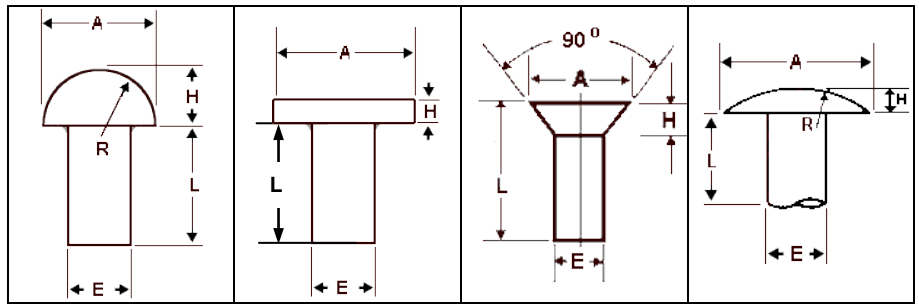
# Rivet plein Solid Rivet



DIA E	L	Matériaux Material	Tête ronde Round Head	Tête plate Flat Tinner Head	Tête fraisée Countersunk Head	Tête goutte de suif Truss Head
1/16	3/16	Acier nu/Solid Steel			0426 0110	
		A	.122/.102	.140/.120	.118/.110	
		H	.052/.042	.027/.017	.027	
		R	.055			
1/8	3/16	Aluminium/Aluminum	0657 0508			
	1/4	Acier nu/Solid Steel	0561 0512			
	1/4	Laiton/Brass	0875 0512			
	5/16	Acier nu/Solid Steel	0561 0514			
	3/8	Acier nu/Solid Steel	0561 0516			
	3/8	Laiton/Brass	0875 0616			
	1/2	Acier nu/Solid Steel	0561 0518			
	1/2	Aluminium/Aluminum	0657 0818			
	3/4	Acier nu/Solid Steel	0561 0522	0877 0622		
	1	Acier nu/Solid Steel	0561 0524			
A		.235/.215	.260/.240	.235/.217	.297/.277	
H		.100/.088	.048/.036	.053	.048/.026	
R		.111			.314	
5/32	5/16	Aluminium/Aluminum				0876 0614
	3/8	Aluminium/Aluminum	0657 0616			
	9/16	Aluminium/Aluminum	0657 0619			
	17/32	Acier nu/Solid Steel	0561 0819			
	5/8	Acier nu/Solid Steel	0561 0820			
	47/64	Acier nu/Solid Steel	0561 0821			
A		.290/.268	.323/.301	.293/.272	.368/.348	
H		.124/.110	.059/.045	.066	.059/.045	
R		.138			.392	

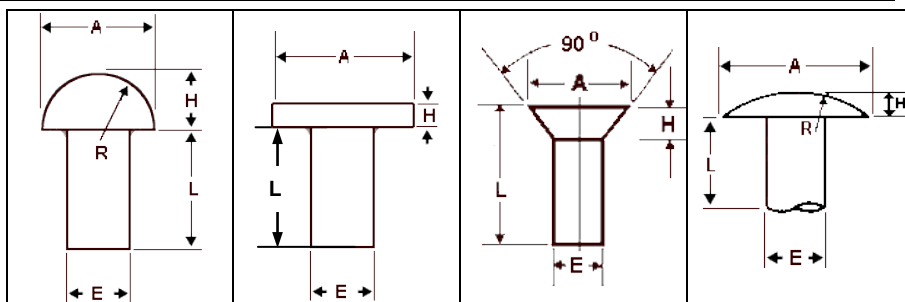


# Rivet plein Solid Rivet



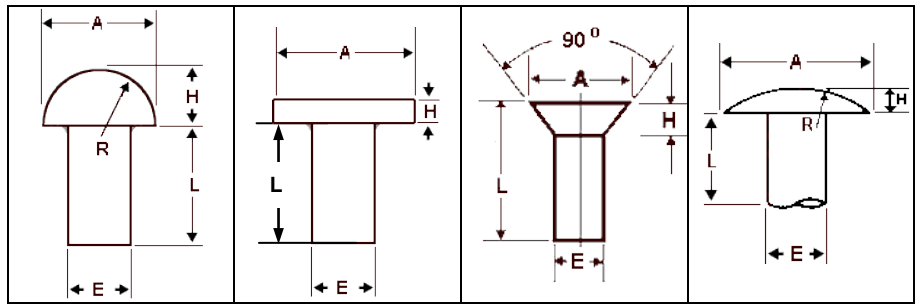
DIA E	L	Matériaux Material	Tête ronde Round Head	Tête plate Flat Tinner Head	Tête fraisée Countersunk Head	Tête goutte de suif Truss Head
3/16	3/8	Acier nu/Solid Steel	0561 1016			
	7/16	Acier nu/Solid Steel	0561 1017			
	7/16	Aluminium/Aluminum	0657 1017			
	1/2	Acier nu/Solid Steel	0561 1018			
	1/2	Aluminium/Aluminum	0657 1018			
	9/16	Acier nu/Solid Steel	0561 1019			
	5/8	Acier nu/Solid Steel	0561 1020			
	5/8	Aluminium/Aluminum	0657 1020			
	3/4	Acier nu/Solid Steel	0561 1022			
	3/4	Aluminium/Aluminum	0657 1022			
	3/4	Laiton/Brass	0875 1022			
	7/8	Acier nu/Solid Steel	0561 1023			
	1	Acier nu/Solid Steel	0561 1024			
	1	Laiton/Brass	0875 1024			
	1-1/4	Acier nu/Solid Steel	0561 1026			
	1-3/8	Acier nu/Solid Steel	0561 1027			
	1-1/2	Acier nu/Solid Steel	0561 1028	0877 1028		
	1-1/2	Aluminium/Aluminum			0872 1028	
	1-5/8	Acier nu/Solid Steel	0561 1029			
	1-7/8	Acier nu/Solid Steel	0561 1031			
2	Acier nu/Solid Steel	0561 1032				
2-1/2	Acier nu/Solid Steel	0561 1036				
4	Acier nu/Solid Steel	0561 1048				
		<b>A</b>	.348/.322	.387/.361	.351/.326	.442/.422
		<b>H</b>	.147/.133	.069/.055	.079	.069/.055
		<b>R</b>	.166			.470

# Rivet plein Solid Rivet



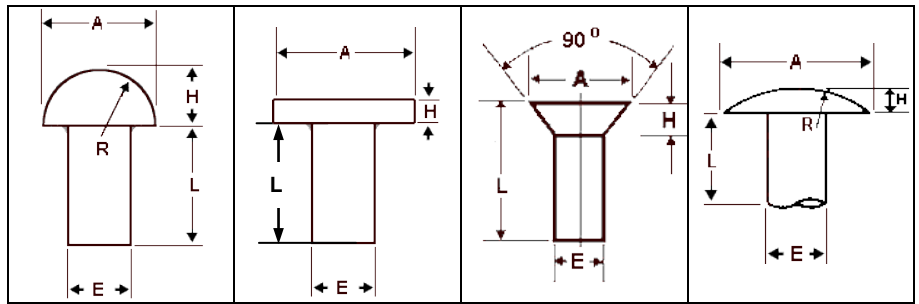
DIA E	L	Matériaux Material	Tête ronde Round Head	Tête plate Flat Tinner Head	Tête fraisée Countersunk Head	Tête goutte de suif Truss Head
1/4	3/8	Acier nu/Solid Steel	0561 2516	0877 2516		
	3/8	Aluminium/Aluminum	0657 2516			
	7/16	Acier nu/Solid Steel	0561 2517			
	1/2	Acier nu/Solid Steel	0561 2518			
	1/2	Aluminium/Aluminum	0657 2518			
	5/8	Acier nu/Solid Steel	0561 2520			
	5/8	Aluminium/Aluminum	0657 2520			
	11/16	Acier nu/Solid Steel				0878 2521
	11/16	Aluminium/Aluminum	0657 2521			
	3/4	Acier nu/Solid Steel	0561 2522			
	3/4	Aluminium/Aluminum	0657 2522			
	13/16	Aluminium/Aluminum	0657 1316			
	7/8	Acier nu/Solid Steel	0561 2523	0877 2523		
	1	Acier nu/Solid Steel	0561 2524	0877 2524		
	1	Acier inox./Stainless S	0874 2524			
	1-1/16	Aluminium/Aluminum	0657 1116			
	1-1/8	Aluminium/Aluminum	0657 2525			
	1-15/64	Acier nu/Solid Steel	0561 2525			
	1-1/4	Acier nu/Solid Steel	0561 2526	0877 2526		
	1-1/4	Aluminium/Aluminum	0657 2526		0872 2526	
	1-1/2	Acier nu/Solid Steel	0561 2528			
	1-3/4	Acier nu/Solid Steel	0561 2530			
	2	Acier nu/Solid Steel	0561 2532			
	2	Acier inox./Stainless S	0874 2532			
	2-1/8	Acier nu/Solid Steel	0561 2533			
	2-1/2	Acier nu/Solid Steel	0561 2536			
	2-15/16	Acier nu/Solid Steel	0561 2539			
	3	Acier nu/Solid Steel	0561 2540			
		<b>A</b>	.460/.430	.515/.485	.469/.437	.590/.560
		<b>H</b>	.196/.180	.091/.075	.106	.091/.075
		<b>R</b>	.221			.628

# Rivet plein Solid Rivet



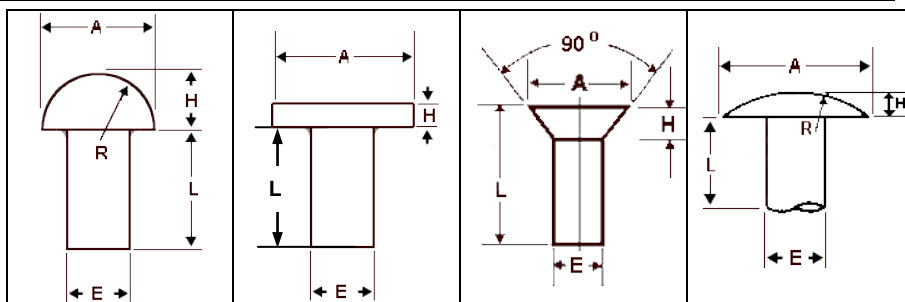
DIA E	L	Matériaux Material	Tête ronde Round Head	Tête plate Flat Tinner Head	Tête fraisée Countersunk Head	Tête goutte de suif Truss Head
5/16	1/2	Acier nu/Solid Steel	0561 3118			
	5/8	Acier nu/Solid Steel	0561 3120			
	3/4	Acier nu/Solid Steel	0561 3122	0877 3122		
	3/4	Aluminium/Aluminum	0657 3122			
	7/8	Acier nu/Solid Steel	0561 3123			
	1	Acier nu/Solid Steel	0561 3124	0877 3124		
	1-1/8	Acier nu/Solid Steel	0561 3125			
	1-1/4	Acier nu/Solid Steel	0561 3126	0877 3126		
	1-5/16	Acier nu/Solid Steel	0561 3127			
	1-1/2	Acier nu/Solid Steel	0561 3128	0877 3128		
	1-5/8	Aluminium/Aluminum	0657 3129			
	1-3/4	Acier nu/Solid Steel	0561 3130			
	2	Acier nu/Solid Steel	0561 3132			
2-1/4	Acier nu/Solid Steel	0561 3134				
		<b>A</b>	.572/.538	.641/.607	.588/.547	.732/.702
		<b>H</b>	.243/.225	.113/.095	.133	.113/.095
		<b>R</b>	.276			.784
3/8	1/2	Acier nu/Solid Steel	0561 3718			
	5/8	Acier nu/Solid Steel	0561 3720			
	3/4	Acier nu/Solid Steel	0561 3722	0877 3722		
	7/8	Acier nu/Solid Steel	0561 3723			
	1	Acier nu/Solid Steel	0561 3724			
	1-1/8	Acier nu/Solid Steel	0561 3725			
	1-1/4	Acier nu/Solid Steel	0561 3726			
	1-1/2	Acier nu/Solid Steel	0561 3728			
	2	Acier nu/Solid Steel	0561 3732			
		<b>A</b>	.684/.646	.769/.731	.704/.656	.878/.848
		<b>H</b>	.291/.271	.135/.115	.159	.135/.115
		<b>R</b>	.332			.942

# Rivet plein Solid Rivet



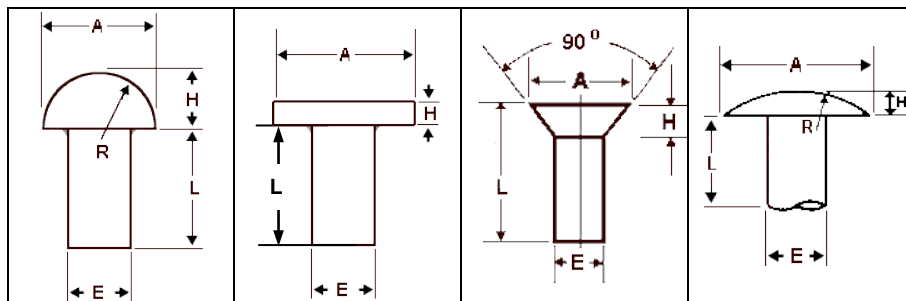
DIA E	L	Matériaux Material	Tête ronde Round Head	Tête plate Flat Tinner Head	Tête fraisée Countersunk Head	Tête goutte de suif Truss Head
7/16	1	Acier nu/Solid Steel	0651 4324			
	1-1/4	Acier nu/Solid Steel	0651 4326			
	1-1/2	Acier nu/Solid Steel	0651 4328	0877 4328		
	2	Acier nu/Solid Steel	0651 4332			
		<b>A</b>	.798/.754	.896/.852	.823/.765	1.020/.990
		<b>H</b>	.339/.317	.157/.135	.186	.157/.135
		<b>R</b>	.387			1.098
1/2	1	Acier nu/Solid Steel	0561 5024			
	1-1/4	Acier nu/Solid Steel	0561 5026			
	1-1/2	Acier nu/Solid Steel	0561 5028			
	1-3/4	Acier nu/Solid Steel	0561 5030			
	2	Acier nu/Solid Steel	0561 5032			
	2-1/2	Acier nu/Solid Steel	0561 5036			
		<b>A</b>	.938/.844		.936/.872	
		<b>H</b>	.406/.375		.260	
		<b>R</b>	.443			
5/8	1-1/4	Acier nu/Solid Steel	0561 6226			
	1-1/2	Acier nu/Solid Steel	0561 6228			
	1-3/4	Acier nu/Solid Steel	0561 6230			
	1-7/8	Acier nu/Solid Steel	0561 6231			
	2	Acier nu/Solid Steel	0561 6232			
	2-1/8	Acier nu/Solid Steel	0561 6233			
	2-1/4	Acier nu/Solid Steel	0561 6234			
	2-1/2	Acier nu/Solid Steel	0561 6236			
	3	Acier nu/Solid Steel	0561 6240			
	3-1/2	Acier nu/Solid Steel	0561 6244			
	4	Acier nu/Solid Steel	0561 6248			
		<b>A</b>	1.390/1.281		1.421/1.322	
		<b>H</b>	.593/.562		.400	
		<b>R</b>	.664			

# Rivet plein Solid Rivet



DIA E	L	Matériaux Material	Tête ronde Round Head	Tête plate Flat Tinner Head	Tête fraisée Countersunk Head	Tête goutte de suif Truss Head
3/4	1-3/4	Acier nu/Solid Steel	0561 7530			
	1-7/8	Acier nu/Solid Steel	0561 7531			
	2	Acier nu/Solid Steel	0561 7532			
	2-1/4	Acier nu/Solid Steel	0561 7534			
	2-3/8	Acier nu/Solid Steel	0561 7535			
	2-1/2	Acier nu/Solid Steel	0561 7536			
	2-3/4	Acier nu/Solid Steel	0561 7538			
	3	Acier nu/Solid Steel	0561 7540			
	3-1/4	Acier nu/Solid Steel	0561 7542			
	3-1/2	Acier nu/Solid Steel	0561 7544			
	4	Acier nu/Solid Steel	0561 7548			
	4-1/2	Acier nu/Solid Steel	0561 7552			
	5	Acier nu/Solid Steel	0561 7554			
	9	Acier nu/Solid Steel			0428 7570	
10	Acier nu/Solid Steel			0428 7574		
		<b>A</b>	1.390/1.281		1.421/1.322	
		<b>H</b>	.593/.562		.400	
		<b>R</b>	.664			
7/8	2	Acier nu/Solid Steel	0561 8732			
	2-1/2	Acier nu/Solid Steel	0561 8736			
	2-3/4	Acier nu/Solid Steel	0561 8738			
	2-7/8	Acier nu/Solid Steel	0561 8739			
	3	Acier nu/Solid Steel	0561 8740			
	3-1/4	Acier nu/Solid Steel	0561 8742			
	3-1/2	Acier nu/Solid Steel	0561 8744			
	3-3/4	Acier nu/Solid Steel	0561 8746			
	4	Acier nu/Solid Steel	0561 8748			
	4-1/4	Acier nu/Solid Steel	0561 8750			
	4-1/2	Acier nu/Solid Steel	0561 8752			
	4-3/4	Acier nu/Solid Steel	0561 8753			
		<b>A</b>	1.609/1.500		1.647/1.532	
		<b>H</b>	.687/.656		.460	
		<b>R</b>	.775			

# Rivet plein Solid Rivet



DIA E	L	Matériaux Material	Tête ronde Round Head	Tête plate Flat Tinner Head	Tête fraisée Countersunk Head	Tête goutte de suif Truss Head
1	2-1/2	Acier nu/Solid Steel	0561 1136			
	3	Acier nu/Solid Steel	0561 1140			
	3-1/2	Acier nu/Solid Steel	0561 1144			
	4	Acier nu/Solid Steel	0561 1148			
	4-1/2	Acier nu/Solid Steel	0561 1152			
		A	1.828/1.719		1.873/1.745	
		H	.781/.750		.520	
		R	.885			